

WEST BENGAL STATE ELECTRICITY DISTRIBUTION COMPANY LIMITED

Technical Specifications for A.C. Single Phase , 2Wire Solid State (Static) Fully Electronic Energy Meter Accuracy Class: 1.0 , Current Rating (5-30) A, With Backlit LCD Display for 240 V System

1.0 SCOPE

- a) This specification covers design, engineering, manufacture, testing, inspection and supply of **A.C. Single phase, two wire solid state (static) fully electronic energy meters** of accuracy class **1.0** and current rating **(5-30) A**, with **backlit LCD display** for **240 Volt** systems as per requirement in this specification. The meter should be capable of recording and displaying energy in KWH and demand in KW for single phase two wire A.C. loads respectively for power factor range of **Zero lag – unity – Zero lead**. Meters should have facility/ capability of recording tamper information.
- b) It is not the intent to specify completely herein all the details of the design and construction of meter. However the meter shall conform in all respects to high standards of engineering, design and workmanship shall be capable of performing commercial operation continuously in a manner acceptable to WBSedcl, who will interpret the meanings of drawings and specification and shall have the right to reject any work or material which in its judgment is not in accordance therewith. The offered meter shall be complete with all components, accessories necessary for their effective and trouble free operation of the system for the purpose mentioned above. Such components shall be deemed to be within the scope of bidders supply irrespective of whether those are specifically brought out in this specification and / or the commercial order or not.
- c) The original manufacturers of LT A.C. static energy meters shall only quote against this tender. In case of foreign manufacturers their authorized agent/agents may also participate provided that they are registered vendors and have all the testing facilities in India. They should also produce the documents authorizing them as agents, in India.

It is mandatory that in case of all manufacturers, the offered meter shall be ISI marked and bidder shall have to furnish valid BIS certification along with the offer.

2.0 STANDARDS APPLICABLE

Unless specified elsewhere in this specification, the performance & testing of the meters should conform to the following Indian/International standards, to be read with up to date and latest amendments/revisions thereof as on 90 days prior to floating of tender.

SI. No.	Standard No.	Title
1	IS 13779, 1999 read with its latest amendments	Specification of AC Static Watt hour meters class 1.0 and 2.0
2	CBIP Report No.304 read with latest amendments and CBIP 325	Specification for AC Static Electrical Energy Meters
3	IS 12346 (1988)	Specification for testing equipment for A.C. Static Electrical Energy Meter (latest amendment).
4	C.E.A. Regulation No. 502 / 70 / CEA / DP&D dt 17/03/2006	Central Electricity Authority (Installation and Operation of Meters) Regulation, 2006.
5	IS 14434 (1998)	Polycarbonate Molding and Extrusion Materials.

3.0 CLIMATIC CONDITION

The meters to be supplied against this specification should be suitable for satisfactory continuous operation under the following tropical conditions. Meters should be capable of maintaining required accuracy under hot, tropical and dusty climatic conditions.

- i) Maximum Ambient Air Temperature in shade : 55° C
- ii) Minimum Ambient Air Temperature : (-)10° C.
- iii) Maximum Relative Humidity : 95%(non-condensing)
- iv) Minimum Relative Humidity : 10%
- v) Height above mean sea level : Up to 3000 meters
- vi) Average number of tropical monsoon per annum : 5 months
- vii) Annual Rainfall : 100 mm to 1500 mm

4.0 SUPPLY SYSTEM

System	1 Phase 2 Wire
Rated voltage (Vref)	240 V . Phase to Neutral
Rated Current	Basic current:- 5 Amps (I _b), Maximum current:- 30 Amps (I max)
Rated Frequency	50 Hz

5.0 POWER FACTOR RANGE

The meter should be suitable for full power factor range from zero (lagging) through to Unity to zero (leading).

6.0 POWER SUPPLY VARIATION

The meter should be suitable for working with following supply system variations.

System	1 Phase 2 Wire
Specified range of operation	70% to 120% of reference Voltage i.e. 240 Volt.
Frequency	50Hz ±5%

7.0 ACCURACY

- 7.1 Class of accuracy of the meter should be 1.0. The accuracy should not drift with time.
- 7.2 Maximum error limit at 1% I_b, UPF should preferably be within +/- 2%.
- 7.3 For voltage variation use of % between 70% to 120% of Vref. allowable error limit is +/- 4%.

8.0 POWER CONSUMPTION

8.1 Voltage Circuit:

The active and apparent power consumption in the voltage circuit including the power supply of meter at reference voltage, reference temperature and reference frequency should not exceed 1.0 Watt and 4 VA respectively. Less VA burden will give preference.

8.2 Current Circuit:

The apparent power taken by each current circuit at basic current, reference frequency and reference temperature should not exceed 1 VA.

9.0 STARTING CURRENT & RUNNING AT NO LOAD

The meter should start registering energy at 0.2 % of basic current at unity power factor and first pulse must be appeared within 10 minutes (i.e. time between two consecutive pulses).
Running at no load: When 70%Vref and 120%Vref voltage is applied and no current flows in the current circuit, the test output of the meter should not produce more than one pulse.

10.0 MAXIMUM CONTINUOUS CURRENT

The maximum continuous current in meters should be the current at which the meter purports to meet the accuracy requirement of the specification. The same is indicated in table in clause 4 above.

11.0 GENERAL & CONSTRUCTIONAL REQUIREMENTS

11.1 Meters should be designed and constructed in such a way so as to avoid causing any danger during use and under normal conditions. However, the following should be ensured.

- a) Personal safety against electric shock
- b) Personal safety against effects of excessive temperature.
- c) Protection against spread of fire
- d) Protection against penetration of solid objects, dust & water

11.2 The meter should be designed with ASIC (**application specific integrated circuit**) and should be manufactured using SMT (**Surface Mount Technology**) components. Power supply and voltage divider circuits may be of PTH (**Pin Through Hole**) technology.

11.3 The meter should be housed in a safe, high grade, unbreakable, fire resistant, UV stabilized, virgin Polycarbonate casing of projection mounting type. The meter cover should be transparent, for easy reading of displayed parameters, and observation of operation indicators. The meter base may not be transparent, but it should not be black in colour. The meter casing should not change in shape, colour, size, and dimensions when subjected to 200 hrs on UV test as per ASTM D 53. It should withstand 650 deg. C. glow wire test and heat deflection test as per ISO 75.

The meter cover should be sealable to the meter base with at least 2(two) nos. seals.

11.4 The meter should be supplied with a transparent **extended terminal block cover** (ETBC). The ETBC should not be easily detachable from the base and be secured to the base using a **hinge/without hinge** arrangement. ETBC should be closed at the bottom to prevent access for wires to terminal holes, but should have a slot of size 20mm X 20 mm on extreme right hand side of the bottom of the terminal cover as per enclosed Drawing No.-(1). The terminal block should be made of high grade non-hygroscopic, fire retardant, fire resistant and glass reinforced poly-carbonate with terminal holes of minimum dia 5.5 mm and should be suitable to accommodate the insulation of the conductors, meeting the requirement of IS 13779 / CBIP technical report-304. The minimum center-to-center distance between adjacent terminals should be 13 mm.

Terminal cover should have provision for sealing with at least one seal. The embedded portion of the sealing arrangement, i.e. the arrangement to hold the sealing screw for terminal cover should be such that the same cannot be uprooted in any case without breaking/damaging the terminal block.

The bidder shall submit relevant documents regarding the procurement of polycarbonate material. The polycarbonate material of only the following manufacturers shall be used :

- | | | |
|----|---------------------|---|
| a) | G.E. Plastics/SABIC | LEXAN 943A, or equivalent like 123R for cover & Terminal cover/ LEXAN 503R or equivalent like 143R for base & Terminal Block. |
| b) | BAYER | Grade corresponding to above |
| c) | DOW Chemicals | - DO - |
| d) | MITSUBISHI | - DO - |
| e) | TEJIN | - DO - |
| f) | DUPONT | - DO - |

11.5 All insulating material used in the construction of meters should be non-hygroscopic, non-ageing and of tested quality. All parts that are likely to develop corrosion should be effectively protected against corrosion during operating life by providing suitable protective coating.

- 11.6 The meter should conform to the degree of protection IP 51 for protection against ingress of dust, moisture and vermin.
- 11.7 The meter should be capable of providing phase to neutral protection up to 433 V for 1(one) hours.
- 11.8 The manner of fixing the cables to the terminal block should ensure adequate and durable contact such that there is no risk of loosening or undue heating. Meter should have 2 (two) screws in each terminal for effective clamping of cables. The screws shall not have pointed ends at the end of the thread. Screw connections transmitting contact force and screw fixing which may be loosened and tightened several times during the life of the meter should be such that the risk of corrosion resulting from contact with any other metal part is minimized. Electrical connections should be so designed that contact pressure is not transmitted through insulating material. All terminals and connecting screws and washers should preferably be of tinned / nickel plated brass material.

The terminals and all connecting screws will be of suitable material capable of withstanding a current of 150% of I_{max} for two hours, continuously.

- 11.9 The meter should be compact in design. The entire construction should be capable of withstanding stresses likely to occur in actual service and rough handling during transportation. The meter should be convenient to transport and immune to shock and vibration during transportation and handling.
- 11.10 The meter should have fixing holes, at least one at top and two at bottom. The top hole should be such that the holding screw is not accessible after fixing the meters. The lower fixing screws should be provided under the sealable terminal cover.
- 11.11 The meter should be fitted with **SHUNT** for measuring current in the phase element. The Neutral element may have either **C.T. or SHUNT or HALL EFFECT SENSOR** with proper isolation.

The shunts, used in current circuit must be of high quality having high thermal stability and temperature co-efficient. The shunts should be E-Beam / Spot welded.

In case of **Hall Effect Sensor**, meter should record as per requirement of technical specification in normal and tamper conditions and life of battery used for recording and display during single wire operation as per clause 12 (IX) should be guaranteed for 10 years.

- 11.12 The meter cover should be permanently fixed to the meter base by using ultra sonic welding or any other technology which is either equally or more efficacious in such a way that the meter cover can be opened without breaking the same, i.e. the meter should be break-to-open type. In case any attempt is made to separate the meter cover from the base by using any tools / implements / device, there should be visible evidence of tampering or attempt to open. The bidder will have to specify the type of technology used by him and will also indicate the tests / standard required for testing the same along with test certificates. However, sealing with commonly available adhesives will not be accepted.
- 11.13 **Meter should have a permanent indication in its display as well as logging of tamper in case of removal of top cover, even in power off condition and it should not disappear even if cover is re-fitted.**
- 11.14 Sealing Arrangement: The sealing screws used for the meter cover shall be fixed upside down so that these are tightened from the rear or screw less design for fixing the base and cover but provision for sealing arrangement must be there. A run through screw (stud) has to be provided from bottom side & sealing is to be done on the top side of the meter. Two independent sealing screws are to be provided at each sides of the meter casing. The sealing screws shall be Tinned Brass or Nickel Plated Steel/Brass. In addition to the sealing screws provided to the meter cover, the sealing screws of the terminal cover should also be Tinned Brass or Nickel plated steel.

Meters must be supplied with two no manufactures' seal between meter base and cover at both sides. If lock /click fit integrated seals are used during sample Meter, after through checking acceptance of said seal will be decided.

12.0 ANTI-TAMPER FEATURES

The meter should have the following anti-tamper features and should record and register forward energy accurately under the following conditions :

Reverse power indication LED should be provided or indication should be in display circuit whenever applicable. In any case, meter should record energy accurately, taking the values of Phase current and Neutral current into account, whichever is higher.

- i) Input phase and neutral connections are interchanged.
- ii) Incoming mains is connected to outgoing terminals and load is connected to incoming terminals.
- iii) Any combination as permissible in all four connecting points should not affect the accuracy of the meter
- iv) Load return is connected to a local earth and not returned to the meter as well as the phase and neutral at supply side are reversed
- v) Occurrence of combination of (ii) and (iv) or (iii) and (iv)
- vi) A part of the load is returned to a local earth and the other part is returned to the meter. Earth load indication should appear in display with logging of tamper, if difference between phase current and neutral current lies more than 6%. Test will be done through actual load. In this case allowable limit will be within 2% w.r.t. Master Meter.
- vii) Meter should record energy with maximum error of (+) 6% to (-) 4% on Injection of DC (+) ve & DC (-) ve in neutral having magnitude up to 400 V & injection of chopped AC in neutral & injection of pulsating D.C. in meter neutral. Tests in this respect will be conducted by using a device available with us for chopped AC injection (60V to 300V) & steady DC injection & Pulsating DC injection set. Steady DC voltage will be rectified from a three phase power supply. Single phase Circuit diagram of the device enclosed with the tender documents.
- viii) Meter should record energy with maximum error of +/- 4% even in absence of neutral / Phase wire not connected at incoming & outgoing, i.e. single wire operation. In such condition Meter should start recording energy at 1.0 Amps. However, meters, which are immune or maintain better accuracy, will be preferred. Both elements should record energy under single wire mode if same phase is given in both elements and load is driven through earth.
- ix) The meter should be immune to Electro Static Discharge or sparks of 35 KVp. Approx generated from automobile ignition coil. Tests in this respect will be conducted by using commonly available devices and during spark discharge test, spark will be applied directly at all vulnerable points of the meter for a period of 10 to 20 minutes and meter should record under this condition. After application of spark discharge meter should record correctly within the specified limits of errors. Beyond 35 KVp meter should record as tamper if not immune

N.B.: Threshold Values of all above occurrence and restoration of tampers will be given at the time of Final Purchase Order of Procurement.

Meters should offer compliance to requirements of CBIP-304 and its amendments for tampering using external magnets. The meter should be immune to tamper using external magnets. The meters should be immune to 0.2T of A.C. magnetic fields and 0.27 T of D.C. magnetic fields, beyond which it should record as tamper if not immune. Meter should record I_{max} with the application of 0.5T permanent magnet with logging in BCS, if not immune.

MINIMUM LAST POWER ON 60 DAYS LOAD SURVEY (IN KWH,, VOLTAGE & AMP) MUST BE AVAILABLE IN BCS.

The meter should offer a link less design i.e. there should be no isolation link provided between the current and voltage circuits and hence there would not be any possibility of tampering with the same. The meter should be capable of recording the following tamper events in memory (minimum 100 events, one event considering one occurrence & one restoration) with date and time stamp preferably along with snapshots of V, I, PF and Kwh. The logging will be on FIFO basis.

- Current reversal
- Neutral Disturbance
- Single wire
- Magnetic Tamper

13.0 DISPLAY

13.1 Display of Meter Serial No:

Meter should have provision for displaying either Meter Serial No of 9 complete digit (First 2 digit provided for Alpha and last 7 digit provided for Numerical values) or Meter serial number should displayed in Billboard fashion %Separate Scrolling Mode+to accommodate 9 digit Alpha . Numeric Meter Serial No. In this case Meter Serial number should remove from Auto & Push Button Display.

13.2 The measured value(s) should be displayed on a **Liquid Crystal display (LCD)** register. The height X width of the digit should be minimum 7.5 X4.5 mm. Higher square area also acceptable. The KWh energy registration should take place with at least 6 complete digits. The display should have backlit capability for easy reading. When the LCD is placed at a constant temperature of 65 deg C for a period of 30 minutes in operating condition and 80 deg C for 30 mins. Under de-energized / storage condition, it should not get deformed.

The LCD should be of **TN (Twisted Pneumatic)** type with display size area of at least 40 X 15 mm. The display should have wide viewing angle of at least 70 deg. Dot Matrix type LCD will not be acceptable.

Display should have viewing angle 35 degree up and down from eye level.

13.3 The data should be stored in **non-volatile memory (NVM)**. The non-volatile memory should retain data for a period of not less than 10 years under un-powered condition. Battery back-up memory will not be considered as NVM.

13.4 The register should be able to record and display starting from zero, for a minimum of 2500 hours, the energy corresponding to rated maximum current at reference voltage and unity power factor. The register should not roll over in between this duration.

13.5 In addition to provision of serial number of the meter on the display plate, the meter serial number should also be programmed into meter memory for identification through communication port for CMRI / Laptop / meter reading print out.

13.6 It should be possible to read the meter during power off condition. It should also be possible to read the meter with CMRI / Laptop in this condition. If battery is used for the same, it should be a separate battery and not the one used for RTC, i.e., the RTC battery and the battery used for display during power off condition should not be the same. The battery should be of high quality Lithium . ion battery, with life of at least 10 years. In case of Lithium battery, no. of operations per day are to be restricted to maximum 5(five) operations so that battery life is not hampered during ten years.

14.0 DISPLAY SEQUENCE:

The meter should display the required parameters in two different modes as per the sequence given below.

Display for Auto and manual mode must be listed by two headers

A) Auto Display Mode and

B) Push Button Mode and pasted in front of the PP Box (where delivered) or side of Meter Box. In case of supply of Meter without Box Auto Display mode to be Pasted on the side of Meter Body.

A) Auto Display Mode :

The following parameters hereinafter referred to as %Billing Parameters+(B.P) should be displayed in an auto-cycle mode, in the following sequence :

1. LCD Test
2. Meter serial no
3. Real Time
4. Date
5. Cumulative Active forwarded energy in kWh.
6. Cumulative Apparent forwarded energy in kVAh.
7. Last Bill Maximum demand (kW)/KVA with date and time.
8. Billing period counts
9. Total tamper count

Each parameter should be on meter display for 9 - 10 seconds and the time gap between two auto-cycles should be 100 - 120 seconds. No extra parameter will be accepted.

B) Push Button Mode :

In addition to the auto display mode parameters, the following parameters should be displayed on pressing the push button

(All displays of auto mode and the following) :

1. Last Bill Active Forward energy in kWh.
2. Last Bill Apparent energy in kVAh.
3. Instantaneous Load (KW/KVA)
4. Instantaneous voltage.
5. Instantaneous Phase Current.
6. Instantaneous Neutral Current
7. Maximum demand kW and KVA for Current month with date & time.
8. Supply Frequency
9. TOD Energy in kWh.
10. Instantaneous Power Factor.

The meter should also be capable of offering a high resolution display which should enable conducting of dial testing by the user in the shortest possible time and as a minimum, the meter should be capable of offering a resolution of 4 digits after decimal & 2 digits before decimal for the high resolution kWh display or 2 digits after decimal and 4 digits before decimal for the high resolution Wh display. Any other useful display will be acceptable. Accuracy test for low load will be measured by short dial test as well as pulse count test.

15.0 MAXIMUM DEMAND REGISTRATION AND RESET

Meter should continuously monitor and calculate the average maximum demand for each demand interval time of 30 minutes and maximum of these in a calendar month should be stored along with date and time when it occurred. The maximum demand should automatically reset at 24:00 hrs. of the last date or 00:00 hrs. of the first date of each calendar month and the corresponding value along with date/time stamp shall be transferred to Billing (History) registers.

The integration period should be set as 30 minutes, on real-time basis.

The billing purpose parameters (active forwarded energy, maximum demand in kW) should be recorded and should be available in Bill (History) for a minimum period of last 12 months.

16.0 TIME OF USE / TIME OF DAY MONITORING:

The meter should offer the capability of time of use monitoring for energy. Minimum 3 registers should be capable of being configured for TOD monitoring for Peak / off peak hours. Time slots T1= 06-00 Hrs. to 17-00 Hrs. T2=17-00 Hrs. to 23-00 Hrs and T3 = 23-00 Hrs to 06-00 Hrs of next day. Register are fixed (3 Nos) but In case of any change of TOD timing in future as per directive of SERC, the same is to be incorporated by the supplier even after completion of the order as per instruction from the appropriate authority. In BCS TOD parameters are KWh, KW, KVAh and KVA.

17.0 SELF- DIAGNOSTIC FEATURE

The meter should be capable of performing complete self diagnostic check to monitor integrity of data memory location at all time. The meter should have indication for unsatisfactory / nonfunctioning / malfunctioning of the following :

- a) Time and date on meter display
- b) All display segments on meter display
- c) Real Time Clock (RTC) status in meter reading prints out at BCS end.
- d) Non-volatile Memory (NVM) status in meter reading prints out at BCS end.

18.0 COMMUNICATION PORTS AND PROTOCOL:

The meter should have a galvanically isolated optical communication port for data communication with CMRI / Laptop. The port should be compatible with IEC 1107/PACT/ANSI. Adequate sealing provision should be provided.

19.0 CMRI / LAPTOP / BCS REQUIREMENTS:

The Common Meter Reading Instrument (CMRI / Laptop) should be capable of being loaded with user-friendly software (MS-DOS 5.0 or higher version compatible) for reading / downloading meter data. Windows based Base Computer Software (BCS) should be provided for receiving data from CMRI / Laptop and downloading instructions from base computer software to CMRI / Laptop.

The BCS should be WIN 7 pro based and copy righted.

The data stored in the meters memory should be available on the BCS.

This BCS should have, amongst other requirements, features and facilities described later in this specification, the facility to convert meter reading data into user definable ASCII file format so that it may be possible for the user to integrate the same with the user's billing data and process the selected data in desired manner. All the data available in the meter including energy, MD, and history data should be convertible to user defined ASCII file format for integration with third party software. The vendor should supply necessary base computer software for reading / viewing of meter data and converting to user defined ASCII files formats. The user should have the flexibility to select the parameters to be converted into ASCII file. The vendor should also supply the necessary CMRI / Laptop software.

The bidder has to supply the Meter Reading protocol and API free of cost. The protocol should not be complicated & should be easily understandable to introduce compatibility between meters, BCS and CMRI of other makes. The bidder shall indicate the relevant standard to which the protocol complies.

The compatibility of transferring data from the meter to CMRI & then to the BCS should be easily established. Any change or up gradation of CMRI software or BCS in future, required for any reason, has to be done by the supplier at his own cost. BCS supplied by the manufacturer should be compatible with meters to be supplied against this tender as well as with previous supplied meters. Optical Port of manufacturer cord should have either magnetic locking or Click slip (latch) fitting.

It should not be possible to change/alter date and time in the meter by sending commands from the CMRI or directly through Laptop. No alteration is possible i.r.o. RTC time, MD resetting, change of TOD timing, it should not be possible to be done through authenticated commands from BCS after scheduling of CMRI/Laptop for a particular meter at the time of reading the meter. Moreover, no alternation/change should be possible until meter is open.

Billing parameters (KWH, KVAH, MD in KW & KVA, TOD wise KWH, Average P.F, and Average L.F).

Only one BCS should be provided for programming and reading.

1nos. Meter to PC USB communication cord (with Moxa converter), to be supplied free of cost for every 10,000 Nos of Meter to the office of the C.E. (DTD) for distributions at sites.

20.0 DISPLAY POWER UP IN ABSENCE OF MAINS SUPPLY

The meter should have the provision of providing the display of billing parameters (Auto Display) in absence of main supply. Press of push button should activate the display to facilitate hands free meter reading with auto-off provision. Meter may be Power on after 3 years, battery backup Power must be stable on that condition.

It should be possible to read the meter using CMRI / PC during power-off condition using this facility.

21.0 MARKING OF THE METER

The marking on the meter should be in accordance with relevant clauses of IS 13779. Colour of the Name Plate will be Light Grey.

The basic marking on the meter nameplate should be as follows (all other markings as per IS should also be there) :

- a) Manufacturer's name & trade mark
- b) Type Designation
- c) No. of phases & wires
- d) Serial number (Size not less than 5mm)
- e) Month & Year of manufacture
- f) Reference Voltage
- g) Rated Current
- h) Operating Frequency
- i) Principal unit(s) of measurement
- j) Meter Constant (imp/kwh)
- k) Class index of meter
- l) %Property of WBSEDCL+
- m) Purchase Order No. & Date
- n) Guarantee (Guaranteed for a period of 5 1/2 Yrs. from the date of delivery)
- o) BIS marking
- p) Place of manufacture
- q) Bar coded SI no. of the meter along with manufacturing date.

22.0 CONNECTION DIAGRAM & TERMINAL MARKINGS:

The connection diagram of the meter should be clearly shown on terminal cover.

23.0 OUTPUT DEVICE

The meter should have a test output accessible from the front and capable of being monitored with suitable testing equipment while in operation at site. The test output device should be provided in the form of LED output. There should be adequate clearance of the test output from other outputs so that there is no interference of other outputs while performing accuracy test with standard scanners.

The relation between test output and the indication on display should comply with the marking on the name plate (imp per KWh)

24.0 ELECTRO-MAGNETIC-COMPATIBILITY & INTERFERENCE REQUIREMENT

The meter should meet EMI / EMC requirements as specified in the relevant standards described in Clause 2.0 of this specification.

25.0 SEALING ARRANGEMENT :

All meters shall be sealed by the manufacturer at its works with 2 (two) nos. Polycarbonate seals with manufacturer's logo and sequential numbers.

A Tracking and recording software (25 nos. or more as per our requirement) for all new seals shall be provided by the manufacturer of the meter so as to track total movements of the seals starting from manufacturing, procurement, storage, record keeping, installation, series of inspections, removal & disposal.

Seal tracking software should be submitted and installed at PC/Laptop of the purchaser before commencement of supply of meters.

General Requirements

1. **GUARANTEED TECHNICAL PARTICULARS :**

The bidder shall furnish all the necessary information as desired in the Schedule of Guaranteed Technical Particulars and data, appended with this Specification. If the bidder desire to furnish any other information(s) in addition to the details as asked for, the same may be furnished against the last item of this Annexure. I

2. **TECHNICAL DEVIATIONS :**

Any deviation in Technical Specification as specified in the Specification shall be specifically and clearly indicated in the Schedule of deviation format.

3. **TESTS :**

i) **Type Testing of Meter:**

The offered meters should be type tested at any NABL accredited laboratory in accordance with IS 13779 with latest amendments, CBIP Report 304 with latest amendments. The type test report should not be more than 3 (three) years old. A copy of the Type Test results should be enclosed with the offer. If there is any modification in the design/parameters of the specifications or use of constituent materials in the offered meters submitted with the offer, from the meter which was submitted type tested, which may affect the characteristics as well as parameters of the meter, revised type test certificates as per the design, parameters and constituent material used in the offered meter, shall have to be submitted failing which the offer may be liable to be rejected.

Type Test Certificate from any NABL accredited Lab. shall only be considered.

Type test certificate should contain the following information clearly :

- 1) Class of accuracy.
- 2) Meter constant

ii) **Acceptance tests :**

- A. The acceptance tests as stipulated in CBIP / IS (with latest amendments) and shall be carried out by the supplier in presence of purchaser's representative. Lot size, sampling and procedure to be followed for acceptance test will be as stated below

The lot size of Meters is 20,000 nos. & no. of Sample Meters to be selected at random from the lot is 32 nos.

The following tests shall be carried out on all the 32 nos. meters thus selected at random.

- The WBSEDCL's Engineers will witness the various quality control measures adopted for verification of different components of meters and satisfy themselves about the same. They will also inspect the protocol for maintaining the accuracy of the meter testing equipment with reference to the standard at manufacturer's meters testing station.
- Physical examination of the meters.
- Non-registration with Voltage along at 70% V ref and at 120% Vref.
- Starting current at 0.2% I basic Upf.
- High voltage test.
- Insulation resistance test.
- Test of protection for withstanding 433 volt between phase & neutral for a period of at least 1(one) hours without any load.
- Test of endurance up to 150% I max

During the above tests, if no of meter fails is less than or equal to 1 no., the lot shall be considered to be conforming to the above tests. If no. of meter fails is greater than 1 no. but less than 4 (four), further re-sampling will be done and the numbers of re-sampled meters shall be 32, selected at random from the said Lot of 20,000 nos.

The re-sampled meter will again be subjected to the tests as mentioned above and if number of meters in two samples (combined) 64 (sixty four) nos. is less than 4 (four) nos., the lot shall be considered to be conforming to the above tests otherwise rejected.

Further testing for 8 nos. meters selected from 32 nos. sample meters will be carried as follows :

- Limits of error on all the sample meters at :

1% I basic	1.0 pf. ($\pm 2\%$ is preferable but should not exceed $\pm 3\%$)
2% I basic	1.0 pf.
5% I basic	1.0 pf., 0.5 pf. Lag & 0.8 lead
10% I basic	1.0 pf., 0.5 pf. Lag & 0.8 lead
50% I basic	1.0 pf., 0.5 pf. Lag & 0.8 lead
100% I basic	1.0 pf., 0.5 pf. Lag & 0.8 lead
200% I basic	1.0 pf., 0.5 pf. Lag
600% I basic	1.0 pf., 0.5 pf. Lag

- Test of meter constant and meter dial for one unit at 200% I basic, 0.866 pf. Lag.
- Power loss on voltage & current circuit.

Further testing for 3 Nos. sample meters will be carried as follows:

- Repeatability of error test at 5% I basic Upf & 100% I basic Upf.
The maximum divergent should be less than 0.1.

If anyone of the meter fails on any of the above tests, the lot will be rejected.

Further testing for 1 No. sample meter will be carried as follows:

- Magnetic induction of external origin (AC & DC).
- Electro Static Spark Discharge of 35KVp
- Tamper and Fraud protection as per Clause 12 (I to vii) (Anti-tamper feature) of our specification.
- Injection of DC pulse (low frequency) in the neutral.
- Dry . heat test as per clause 12.6.1 of IS: 13779/99.

At least one sample selected from any lot of the meters offered for inspection will be sealed by us and handed over to the supplier for testing at NABL accredited laboratory. Presence of purchaser's representative during dry heat test at NABL accredited laboratory is not required. But in the test report meter Sl. No. & meter body seal nos. is to be mentioned.

- Shunt test by applying 100 Amps continuous load for minimum two hours after removing it from the meter for verification and conformation for quality of shunt & its E-beam welding.
- Physical verification of internal components.

If the meter fails on any of the above test, the lot will be rejected.

Facilities/arrangement for conducting ageing test should be available with the manufacturer.

iii) Retesting after delivery

WBSEDCL will carry out re-testing of the supplied meters at their laboratory. Re-testing of the supplied meters will be conducted on sample meters collected from different stores of the consignees as per the procedure followed for acceptance test (except dry heat test & shunt test) during inspection & testing of the supplied meters at manufacturer's works. Re-testing of the supplied meters will be completed within one month from the date of receipt of meters at different stores. Date of re-testing of meters will be intimated to the supplier for witnessing testing of the meters.

In case the meters are not in order as per our observation during inspection and testing of the supplied meters, the lot will be declared defective and in that event meters supplied are to be replaced by the manufacturers free of cost including free transportation from the site to their works and back. The replaced meters are to be offered for inspection & testing and Acceptance test of will have to be carried out by the supplier in presence of purchaser's representative.

iv) Routine Tests :

Each and every meter of the offered lot shall undergo the routine tests as well as functional tests as per IS: 13779/1999, CBIP Report-304 and after sealing of the meters, the manufacturers will submit the routine test report of all the meters as well as a statement showing seal Sl. Nos. against each meter, Sl. No. of offered lot in soft copy (MS WORD or EXCEL format), to the Chief Engineer, DTD, along with offer letter for acceptance test.

v) TEST FACILITIES :

The tests for equipment / instrument shall be carried out as per relevant Standards and test certificates shall be furnished for scrutiny. The Bidder shall indicate the details of the equipment available with him for carrying out the various tests as per relevant Standards. The bidder shall indicate the sources of all equipments/ instruments.

NOTE: The standard meters used for conducting tests shall be calibrated periodically at any NABL Accredited Test Laboratories and test certificates shall be available at Works for verification by purchaser's representative.

The manufacturer shall have the following testing facilities to ensure accurate calibration :

- AC high voltage test
- Insulation test
- Test of no load condition
- Test of Starting condition
- Test on Limits of error

- Power loss in voltage and current circuit
- Test of Repeatability of error
- Test of meter constant
- Test of magnetic influence

4. INSPECTION :

The purchaser may carry out the inspection at any stage of manufacture. The manufacturer shall grant free access to the purchaser's representative at a reasonable time when the work is in progress. Inspection and acceptance of any equipment under this specification by the purchaser shall not relieve the supplier of his obligation of furnishing the equipment in accordance with the specification and shall not prevent subsequent rejection if the equipment is found to be defective.

All acceptance tests and inspection shall be made at the place of manufacturer unless otherwise especially agreed upon by the Bidder and purchaser at the time of purchase. The Bidder shall provide all reasonable facilities without charge to the inspector, to satisfy him that the equipment is being furnished in accordance with this specification.

The supplier shall keep the purchaser informed in advance, about the manufacturing programme for each lot so that arrangement can be made for inspection.

The purchaser reserves the right to insist for witnessing the acceptance / routine testing of the bought out items. The supplier shall give 15 days for local supply / 30 days in case of foreign supply advance intimation to enable the purchaser to depute his representative for witnessing the acceptance and routine tests.

The purchaser reserves the right for type testing of any meter & meter casing etc. from any of the offered lots, received at any destination stores.

5. SUBMISSION OF SAMPLE METER:

The bidder will have to submit his/her sample Meters, PPMB and Seals in sealed casing / carton along with relevant meter documents (as per Annexure-IV), on any working day, from 12.00 noon to 04.00 P.M. within the specified period of submission of tender documents latest by 01.00 P.M. on the last day of submission of bid to the Office of the Chief Engineer (DTD), Abhikshan, Sec-V, Salt Lake, Kolkata-91.

A receipt, jointly signed by the representative of the bidder and DTD officials, mentioning the samples and papers submitted by the bidder as per check list will be handed over to the representative.

Tender paper will be accepted by the office of the Chief Engineer (Procurement & Contract) WBSEDCL, Bidyut Bhavan, 10th floor, Block . A & D, Salt Lake, Kol-91, on any working day (excepting Saturdays) from 11.00 A.M. to 04.00 P.M. and latest by 02.00 P.M. on the date of submission of tender. No tender will be accepted without the receipt issued by DTD, Abhikshan in connection with submission of samples.

- a) While submitting the samples and required documents as per Annexure-IV, the bidder has to submit **two numbers of sealed meters as per the specifications stated herein before, with the welding of the meter base and cover and body screw caps. Any one meters will be selected for sample testing and other meter taken for physical test.**
- b) They should also submit one prototype of meter base and cover (with body screw caps) properly welded, fitted inside a Pilfer Proof Meter Box
- c) The tenderer shall have to submit 10 (ten) Nos. of each type of offered seals.
- d) The tender without mentioned samples shall be rejected and not considered. The date of testing of sample meters will be intimated to the bidders by the C.E.(DTD) and on the date of testing of sample meters of a particular bidder, the representative shall come prepared with the followings :
 - BCS (as per specification)
 - CMRI compatible with BCS and loaded with CMRI software and laptop compatible with BCS.
 - Any other accessories required for observing the performance and capabilities of the meters.
 - Operating/threshold value at which the meter will record energy as per specified limits of errors and also logic at which meter log tamper at different tamper conditions.

Sample meter testing will be conducted as per the enclosed format (Annexure-V).

During such testing, other bidders will also be allowed to witness the testing and only one representative of each bidder with proper authorization letter from his/her organization will be allowed to witness sample testing of a particular bidder.

If any bidder send his/her representative to witness sample testing of other bidders, the representative will have to be present till completion of sample testing of a particular bidder and test reports are to be signed by the representative.

6. QUALITY ASSURANCE PLAN :

The design life of the meter shall be minimum 20 years and to prove the design life the firm shall have at least the following quality Assurance Plan: -

- The factory shall be completely dust proof.
- The testing rooms shall be temperature and humidity controlled as per relevant standards.
- The testing and calibrating equipments should be automatic and all test equipment shall have their valid calibration certificates from NABL accredited laboratory.
- Power supplies used in testing equipment shall be distortion free with sinusoidal wave- forms and maintaining constant voltage, current and frequency as per the relevant standards.

During the manufacturing of the meters the following checks shall be carried out.

- i) Meter frame dimensions tolerances shall be minimum.
- ii) The assembly of parts shall be done with the help of jigs and fixtures so that human errors are eliminated.
- iii) The meters shall be batch tested on automatic, computerized test bench and the results shall be printed directly without any human errors.

The Bidder shall invariably furnish the following information along with his bid, failing which his bid shall be liable for rejection. Information shall be separately given for individual type of material offered.

- Statement giving list of important raw materials, names of sub-suppliers for the raw materials, list of standards according to which the raw materials are tested, list of tests normally carried out on raw materials.
- Information and copies of test certificates in respect of bought out accessories.
- List of manufacturing facilities available.
- Level of automation achieved and lists of areas where manual processing exists.
- List of areas in manufacturing process, where stage inspections are normally carried out of quality control and details of such tests and inspections.
- List of testing equipment available with the bidder for final testing of equipment specified and test-plant limitations, if any, vis-à-vis type, special acceptance and routine tests specified in the relevant standards and this specification. These limitations shall be very clearly brought out in schedule of deviations.

The manufacturer laboratory must be well equipped for testing of the meters. They must have computerized standard power source and standard equipment calibrated not later than a year (or as per standard practice). The details of testing facilities available for conducting

- a) The routine tests.
- b) Acceptance tests shall be furnished with the bid.

7. MANUFACTURING ACTIVITIES

All the materials, electronics and power components, ICs used in the manufacture of the meter shall be of highest quality and reputed make to ensure higher reliability, longer life and sustained accuracy.

The manufacturer should use **Application Specific Integrated Circuit (ASIC) or Micro controller** for metering functions.

The electronic components shall be mounted on the printed circuit board using latest **Surface Mounted Technology (SMT)** except power components by deploying automatic SMT pick and place machine and re flow solder process. The electronic components used in the meter shall be of high quality and there shall be no drift in the accuracy of the meter at least up to 10 years. Further, the Bidder should own or have assured access (through hire, lease or sub-contract) of the mentioned facilities. The PCB material should be of glass epoxy FR-4 grade conforming to relevant standards.

All insulating materials used in the construction of meters shall be non-hygroscopic, non-aging and of tested quality. All parts that likely to develop corrosion shall be effectively protected against corrosion by providing suitable protective coating.

Quality should be ensured at the following stages:

At PCB manufacturing stage, each board shall be subjected to bare board testing. At insertion stage, all components should undergo testing for conforming to design parameters and orientation.

Complete assembled and soldered PCB should undergo functional testing using test equipments (testing jig).

Prior to final testing and calibration, all meters shall be subjected to accelerated ageing test to eliminate infant mortality, i.e., meters are to be kept in ovens for 72 hours at 55 deg. Centigrade temperature & atmospheric humid condition. After 72 hours meters should work correctly. Facilities / arrangement for conducting ageing test should be available with the manufacturer.

The calibration of meters shall be done in-house.

The bidder should submit the list of components used in the meter along with the offer.

A detailed list of bought-out items, which are used in the manufacture of the meter, should be furnished indicating the name of firms from whom these items are procured. The bidder shall also give the details of quality assurance procedures followed by him in respect of the bought-out items.

The details of testing facilities available for conducting the routine and acceptance tests and other special tests on the meter shall be furnished with the bid. The facility available if any for conducting type test may also be furnished.

8. DOCUMENTATION :

Operating manual should be provided inside each of the Pilfer Proof Meter Boxes and 20 no of additional quantity to be supplied to DTD store.

One set of routine test certificates shall accompany each dispatch consignment.

The acceptance test certificates in case pre-dispatch inspection or a routine test certificate in cases where inspection is waived has to be approved by the purchaser.

9. GUARANTEE:

The meters as well as the Pilfer Proof Meter Boxes should be guaranteed against any manufacturing defects arising out of faulty design, material used, bad workmanship or component failure for a period of **5 ½ years** from the date of supply.

The guarantee of seals shall be as per guarantee of meters

Life of battery used for the meter should be guaranteed for **10 (ten) years**.

The meter/battery found defective within the above guarantee period shall be replaced by the supplier free of cost within 30 (thirty) days of the receipt of intimation of failure / defect.

REPLACEMENT OF DEFECTIVE METERS :

The meters declared defective by the WBSEDCL shall be replaced by the supplier up to the full satisfaction of the WBSEDCL at the cost of supplier within 30 (thirty) days of receiving such intimation from the consignee stores or DTD and failure to replace within the stipulated time limit shall lead to **imposition of penalty of twice the cost of meter. The same may even lead to black listing, as decided by WBSEDCL. In this connection the decision of WBSEDCL shall be final.**

10. PACKING & FORWARDING :

The equipment shall be packed in cartons / crates suitable for vertical / horizontal transport as the case may be, and suitable to withstand handling during transport and outdoor storage during transit. The supplier shall be responsible for any damage to the equipment during transit, due to improper and inadequate packing. The easily damageable material shall be carefully packed and marked with the appropriate caution symbol. Wherever necessary, proper arrangement for lifting, such as lifting hooks etc., shall be provided. Supplier without any extra cost shall supply any material found short inside the packing cases immediately.

The packing shall be done as per the standard practice as mentioned in IS 15707: 2006. Each package shall clearly indicate the marking details (for e.g., manufacturer's name, Sl. Nos. of meters in the package, quantity of meter, and other details as per supply order). However, he should ensure the packing is such that, the material should not get damaged during transit by Rail / Road.

11. GENERAL :

a) Principle of operation of the meter, outlining the methods and stages of computation of various parameters starting from input voltage and current signals including the sampling rate, if applicable shall be furnished by the bidder.

b) The Components used for manufacture of meter should be of high quality and the bidders should confirm component specification as specified below in Annexure-III.

c) Bidders should compulsorily fill Annexure-I, Annexure-II, Annexure-III & Annexure-IV for technical qualification

Component Specification:

The meters shall be designed and manufactured using SMT (Surface Mount Technology) components, except for power supply components, LED / LCD etc., which are PTH type.

All the material and electronic power components used in the manufacture of the meter shall be of highest quality and reputed makes so as to ensure higher reliability, longer life and sustained accuracy.

Sl. no.	Component Function / Feature	Requirement	Make / origin
1.	Current Element	E-beam /spot welded shunts shall be provided in the phase element and C.T. in the neutral. Alternatively, both the current elements (phase & neutral) shall have Shunts with proper isolation.	Any make or origin conforming to IS-2705
2.	Measurement / computing chips	The Measurement / computing chips used in the meter should be with the Surface mount type along with the ASICs.	USA: Analog Devices, AMS, Cyrus Logic, Atmel, SAMES, Texas Instruments, Teridian, Japan: NEC, Freescale, Renesas, Holland: Philips
3.	Memory chips	The memory computing chips should not be affected by the external parameters like sparking, high voltage spikes or electrostatic discharges.	USA: National Semi Conductor, Atmel, SAMES, Texas Instruments, Teridian, ST Japan: Hitachi, OKI, Freescale, Renesas, Holland / Korea: Philips
4.	Display modules	The display modules should be well protected from the external UV radiations. The display should be clearly visible over an angle of at least a cone of 70°. The construction of the modules should be such that the displayed quantity should not disturbed with the life of display. The display should be TN type industrial grade with extended temperature range.	Singapore: Bonafied Technologies, Korea: Advantek, Japan : Hitachi, SONY, Hijing, Truly Semiconductor.
5.	Communication modules	Communication modules should be compatible for the RS 232 ports	USA: National Semiconductors, HP, ST, Texas Instruments, Agilent, USA / Korea: Fairchild Holland/ Korea: Philips, Japan: Ligitek, Hitachi, Germany: Siemens, Tiwan: Everlight,

6.	Optical port	Optical port should be used to transfer the meter data to meter reading instrument. The mechanical construction of the port should be such to facilitate the data transfer easily.	USA: National Semiconductors, Texas Instruments, HP, Agilent, Japan: Hitachi, , Germany:Siemens, Holland / Korea:Philips, Tiwan:Everlight,
7.	Power Supply	The power supply should be with the capabilities as per the relevant standards. The power supply unit of the meter should not be affected in case the maximum voltage of the system appears to the terminals due to faults or due to wrong connections.	As specified.
8.	Electronic components	The active & passive components should be of the surface mount type & are to be handled & soldered by the state of art assembly processes.	Philips, Toshiba, Fairchild, Murata, Rohm, Siemens. National Semiconductors, ATMEL, Texas Instruments, Hitachi. Ligitec, OKI, EPCOS
9.	Mechanical parts	The internal electrical components should be of electrolytic copper & should be protected from corrosion, rust etc. The other mechanical components should be protected from rust, corrosion etc. by suitable plating / painting methods.	
10.	Battery	Lithium / Lithium-ion /Ni-Mh with guaranteed life of 10 years	Renata, Panasonic, Varta, Tedrium, Sanyo, National, Teridian, Duracell, Mitsubishi, Maxell, Elegance.
11.	RTC / Micro controller	The accuracy of RTC shall be as per relevant IEC / IS standards	USA: Dallas, Atmel, Motorola, NEC, Renesas, Texas Instruments, ST, Micro chips Holland / Korea: Philips, Japan: NEC, OKI,Hitachi, Mitsubishi, Freescale,

NNEXURE - I

GUARANTEED TECHNICAL PARTICULARS OF AC SINGLE PHASE, CL 1.0 (5-30A), STATIC WHOLE CURRENT ENERGY METER WITH LCD DISPLAY

Sl. No.	Particular	Min. Requirement as per Specification of WBSEDCL	As offered
1.	Name of manufacturer		
2.	Type, name & number		
3.	Standard Applicable	IS:13779/1999, IS: 12346 / 1988, IS: 14434 / 1998, CEA regulation no. 502 / 70 / CEA / DT&D dt.17.03.06 and CBIP technical report no.304 with its latest amendment as on date..	
4.	Type of Meter (Model No.)		
5.	Rating		
(i)	Accuracy Class	Class-I	
(ii)	Rated Voltage	240V (+ 20%, - 30%)	
(iii)	Rated current	Ib-5 Amp. I _{max} - 30 Amp	
(iv)	Rated frequency	50 Hz ± 5%	
(v)	Power factor	Zero (lag) to Unity to Zero (lead)	
(vi)	Minimum saturation current	Bidders to specify	
(vii)	Meter Constant (imp / KWH)	-do-	
6. (i)	Maxm. Continuous current rating (Amp.)	30 Amps.	
(ii)	Continuous current rating of terminals for two hours	45 Amps	
(ii)	Running with no load & (-)70% to 120 % voltage	No creeping	
7.	Short time over current for 10 milliseconds	30 I _{max} for one half cycle at rated frequency	
8.	Starting current at which meter shall run & continue to run	0.2% of I _b at rated voltage and unity power factor	
9.	Power loss at rated frequency & reference temperature		
(a)	Current circuit at rated current	Less than 1 VA	
(b)	Voltage circuit at rated current	Less than 1.0W / 4VA	
10.	Type of material used		
(a)	Base		

Sl. No.	Particular	Min. Requirement as per Specification of WBSSEDCL	As offered
	Material	High Impact strength, non-hygroscopic, fire retardant, fire resistant, UV stabilised poly carbonate (Lexan 503R or equivalent)	
(b)	Meter cover	High Impact strength, non-hygroscopic, fire retardant, fire resistant, UV stabilised Transparent poly carbonate (Lexan 943A or equivalent)	
(c)	Terminal Block		
	Material	Material High Impact strength non-hygroscopic, fire retardant, fire resistant, UV stabilised poly carbonate (Lexan 503R or equivalent) Barrier of adequate size shall be provided between phase and neutral	
(d)	Terminal cover		
	Material	High Impact strength, non-hygroscopic, fire retardant, fire resistant, glass reinforced poly carbonate (Transparent)& non detachable with hinging arrangement (Lexan 943A or equivalent).	
(f)	Screw		
	(i) Material	Tin / Nickel Plated - Brass	
	(ii) Size	Bidders to specify	
11.	Internal diameter of Terminal Hole	Min. 5.5 mm	
12.	Centre to Centre clearances between adjacent terminals	13 mm	
13	Transducers		
(i)	Input	E-beam / spot welded Shunts shall be provided in the phase element and C.T /Shunt/ HALL EFFECT SENSOR in the neutral. Voltage: Potential divider (PT less)	
(ii)	Output	LCD	
(iii)	Shunt resistivity	Bidders to specify	
(iv)	C.T. – no of turns	-do-	
.	Type of Register	LCD suitable for operation up to 80°C	
(i)	No. of Digits	6 (integer only)	
(ii)	Size of Numerals	8.0 X 5 mm (minimum)	
15.	Display		
(i)	On Scroll Mode & Auto display mode	Both required as per sequence mentioned in Technical Specification clause No.14	

Sl. No.	Particular	Min. Requirement as per Specification of WBSEDCL	As offered
(ii)	Type of push button	Spring loaded/ Rubber elastomer push button to be provided on top cover of meter to read parameters	
16.	Reading on power off condition	Meter shall be able to display reading during power outage through the push button provided on the meter with facility for hands free meter reading with auto-off provisions.	
17.	a) Battery of Real time clock	(i) It shall be Lithium/Lithium-ion battery having at least 10 years of life	
		(ii) The drift in time shall not exceed +/- 3 minutes per year	
	b) Battery for Display during power off condition	It shall be Lithium / Lithium-ion/ NiMh battery having at least 10 years of life	
18.	Fixing/sealing arrangement		
	(i) Fixing of meter	3 fixing holes (one at top & two at bottom under terminal block). The top fixing screw shall not be accessible after meter is fixed to meter box base.	
	(ii) Sealing of meter cover to Base	At least, two sealing provision/screws shall be provided for proper fixing of the meter cover so that access to the working part shall not be possible without breaking the seal. Necessary provision shall be kept for fixing the utility seal also.	
		The meter cover shall be permanently fixed to the base by ultrasonic welding or any other technology which is equally or more efficacious so that cover cannot be opened without breaking, i.e. the meter should be break to open type. Meter should have an indication in its display if top cover is removed.	
19.	Type of hinged un-detachable terminal cover	Terminal cover shall be either hinged/ non hinged	
20.	Performance of meter in tamper conditions		
	(i) Phase-neutral interchanged	Should work within specified accuracy	
	(ii) Main & load wire are interchanged	----do----	
	(iii) Load is not terminated back to meter & current is drawn through local earth fully or partially	---do---	

Sl. No.	Particular	Min. Requirement as per Specification of WBSEDCL	As offered
	<i>(iv) Neutral disconnected from both incoming & outgoing and load drawn through local earth</i>	<i>-do- provided threshold current is 1 Amp. & above</i>	
	<i>(v) Indication of above tamper condition</i>	<i>LCD / LED indication.</i>	
21.	<i>Suitability of meter to sustain over voltage i.e. phase to phase voltage injected between phased & neutral</i>	<i>Should sustain</i>	
22	<i>Electromagnetic compatibility (EMI / EMC severity level)</i>	<i>As per IS 13779: 1999</i>	
23.	<i>(i) Effect on accuracy of external electromagnetic interference of electrical discharge, external magnetic field & DC current in AC supply or in neutral</i>	<i>Should work within accuracy as per latest IS & CBIP report -304 with latest amendment.</i>	
	<i>(ii) Immune to Electrostatic discharge upto 35kVp</i>	<i>Exceeding 35kVp it should log as tamper</i>	
	<i>(iii) Current reversal, Neutral disturbance & Magnetic tamper logging in memory</i>	<i>Meter shall log last 100 events with date and time</i>	
24.	<i>Effect on accuracy under tamper conditions / influence conditions</i>	<i>Should work within accuracy specified in IS: 13779 / 1999, and CBIP tech. Report 304 . Error beyond +/- 4 % will not be acceptable for conditions not specified in IS: 13779 / 1999 & CBIP tech. Report 304</i>	
25.	<i>Drift in accuracy of measurement with time</i>	<i>No Drift in accuracy in measurement with time</i>	
26.	<i>Name plate details</i>	<i>It should cover all the details as prescribed in Clause-21</i>	
27.	<i>Approximate weight of meter</i>	<i>To be indicated</i>	
28.	<i>Type of mounting</i>	<i>Projection type</i>	
29.	<i>Calibration</i>	<i>Meter shall be software calibrated at factory & there shall not be any mechanical form of calibration, such as, mechanical preset / trim port / potentio etc. so that any adjustment in calibration is not possible after freezing the meter constant.</i>	
30.	<i>Manufacturing activity</i>		
	<i>(i) Mounting of components on PCB shall be SMT type</i>	<i>SMT type and ASIC technology</i>	

Sl. No.	Particular	Min. Requirement as per Specification of WBSEDCL	As offered
	(ii) Compliance to assurance	To be complied	
31.	Testing facility		
(i)	Fully automatic computerised meter test bench with print out facility shall be available	Must be available	
(ii)	Make and Sl. No. of Test bench	To be indicated	
(iii)	Accuracy of ESS duly calibrated	---do---	
(v)	Following in house testing facility shall be available :		
	(i) AC high voltage test	Must be available	
	(ii) Insulation test	--do--	
	(iii) Test of no load condition	--do--	
	(iv) Test of Starting condition	--do--	
	(v) Test on Limits of error	--do--	
	(vi) Power loss in voltage and current circuit	--do--	
	(vii) Test of Repeatability of	--do--	
	(viii) Test of meter constant	--do--	
	(xi) Power loss in voltage & current circuit	--do--	
	(x) Test of Magnetic influence	--do--	
32.	Whether offered meter type tested as per ISS 13779 / 1999 Table-20 for all the following tests (indicate name of laboratory /Reference of report No. & date)	Clause No – 3 of general requirement.	Name of Lab Type test Report Ref. No.
(i)	Vibration test	12.3.2	
(ii)	Shock test	12.3.1	
(iii)	Spring Hammer test	12.3.3	
(iv)	Protection against penetration of dust and water	12.5	
(v)	Test of resistance to heat & fire	12.4	
(vi)	Power consumption	12.7.1	
(vii)	Influence of supply voltage	12.7.2	
(viii)	Voltage dips and interruptions	12.7.2.1.	
(ix)	Short time over current	12.7.3	
(x)	Influence of self heating	12.7.4	
(xi)	Influence of heating	12.7.5	
(xii)	Impulse voltage test	12.7.6.2	
(xiii)	AC high voltage test	12.7.6.3	

Sl. No.	Particular	Min. Requirement as per Specification of WBSEDCL	As offered
(xiv)	Insulation test	12.7.6.4.	
(xv)	Radio Interference	12.9.5	
(xvi)	Fast transient burst test	12.9.4	
(xvii)	Electrostatic discharge	12.9.2	
(xviii)	Immunity to electro-magnetic H.F. field	12.9.3.	
(xix)	Test for meter constant	12.15	
(xx)	Test of starting conditions	12.14	
(xxi)	Test of no load condition	12.13	
(xxii)	Ambient temp. influence	12.12	
(xxiii)	Test of influence quantities	12.11	
(xxiv)	Interpretation of test results	12.16	
(xxv)	Repeatability error test	12.17	
(xxvi)	Dry heat test	12.6.1	
(xxvii)	Cold test	12.6.2	
(xxviii)	Damp heat cycle test	12.6.3	
(xxix)	Test of influence of immunity to Earth fault	12.8	
(xxx)	Limits of error	11.1	
33.	Guarantee period of meter	5-1/2 years from the date of supply. Guarantee period shall be printed on the nameplate.	
34.	BIS licence		
34.1	BIS licence No. & dt. with its validity for ISI certification mark on offered meter.	To be mentioned	
34.2	Details of meter design for which above BIS certification has been obtained: -	To be mentioned	
(i)	Ratio of I_b to I_{max}		
(ii)	Material of meter body		
(iii)	Type of energy registering counter		
(iv)	Type of technology (Digital/Analog)		
(v)	Grade of printed circuit Board material		
(vi)	Type of assembly of component used (SMT)		
(vii)	Meter constant (IMP / KWh)		
(viii)	Auxiliary power circuit (with PT or PT less)		

Sl. No.	Particular	Min. Requirement as per Specification of WBSEDCL	As offered
(ix)	Current circuit (CT / Shunt combination or only shunt)		
(x)	Accuracy class		
35.	ISO accreditation no. & dt. with its validity		
36.	Other parameters / features not covered in the above GTP	Conform to specification of IS-13779 / 1999 and CBIP technical report No.304 (with its latest amendment).	
37	Past Experience	Copies of order executed in last two years along with GTP of the supplied meters to be enclosed	

Annexure - II

Pre-Qualification Conditions for Single Phase Static Meters

Sl. No.	Particulars	Remarks
1	Bidders must have valid BIS certification for the offered meter.	Yes / No
2	Bidder preferably posses ISO 9001 certification	Yes / No
3	Bidder should be manufacturers of static meters having supplied Static 1-ph or 3-phase meters with memory and LCD display to Electricity Boards / Utilities in the past 3 years	Yes / No
4	Bidder has Type Test certificate for the Type of offered meter not more than 3 (three) years old	Yes / No
5	Bidders should have dust free, static protected environment for manufacture, assembly and Testing.	Yes / No
6	Bidder should have automatic computerized test bench for lot testing of meters.	Yes / No
7	Bidder has facilities of Oven for ageing test.	Yes / No
8	Bidder shall submit certificate for immunity against magnetic influence of 0.2 T AC. & 0.5 T DC. from a NABL accredited Laboratory, for the same type of meter as offered.	Yes / No

Annexure - III

Sl. No.	Component Function / Feature	As per Requirement	Make / origin
1	Current Element		
2	Measurement / Computing chips		
3	Memory chips		
4	Display modules		
5	Communication modules		
6	Optical port		
7	Power Supply		
8	Electronic components		
9	Mechanical parts		
10	Battery		
11	RTC / Micro controller		

ANNEXURE - IV

Sl. No.	LIST OF DOCUMENTS TO BE SUBMITTED DURING SAMPLE SUBMISSION			
1	<i>Attested copy of type test reports from NABL accredited laboratory</i>			
2	<i>Attested copy of BIS certificates of the same type of meter submitted as sample</i>			
3	<i>Attested certificates as regards material used for meter case, cover & terminal block.</i>			
4	<i>Annexure – II as per tender documents</i>			
5	<i>Annexure – III as per tender documents</i>			
6	<i>Operating manual of the meter submitted</i>			

ANNEXURE - IVA

Reference:
Date of Test :-
Name of bidder /
Manufacturer:
Address:-

Description of Meter :-

Serial No		Impulse/Kwh	
Type		Class	
Voltage		Mfg. Dt.	
Current			

Test Performed:-

Sl. No. Description of Test

- 1.) Meter subjected to 450V between Phase and Neutral for 4 hours:
Result:-
Meter terminals subjected to 150% I_{max} for 2 hours.
Result:-

2.) Insulation Resistance

Result:-

Measured Points	Limit (Min.)	Obs. Values
Between Frame & Phase Circuit		
Between Frame & Neutral Circuit		

3.) Power Loss:

Measured Points	Limit		Obs. Values
Voltage Circuit	Watt	1.0	
	VA	4.0	
Current Circuit	VA	1.0	

4.) No Load
120% of Rated Voltage
70% of Rated voltage

Result:-

Result:-

Limit	Obs. Values
Max. 1 pulse	
Max. 1 pulse	

5.) Starting Current
0.2% of I_b

Result:-

Limit	Observation
< 10 minutes.	

6.) Description of Test:

Limits of Error

Load	P.F.	Errors as per IS13779 / CBIP304	%Error for Active Phase	% Error For Active Neutral
<i>I_{max}</i>	1.0	(±) 1%		
	0.5 lag	(±) 1%		
	0.8 ld	(±) 1%		
200% <i>I_b</i>	1.0	(±) 1%		
	0.5 lag	(±) 1%		
<i>I_b</i>	1.0	(±) 1%		
	0.5 lag	(±) 1%		
	0.8 ld	(±) 1%		
50% <i>I_b</i>	1.0	(±) 1%		
	0.5 lag	(±) 1%		
	0.8 ld	(±) 1%		
10% <i>I_b</i>	1.0	(±) 1%		
	0.5 lag	(±) 1.2%		
	0.8 ld	(±) 1.2%		
5% <i>I_b</i>	1.0	(±) 1%		
	0.5 lag	(±) 2%		
	0.8 ld	(±) 2%		
2% <i>I_b</i>	1.0	(±) 2%		
1% <i>I_b</i>	1.0	(±) 2%		

7.) Repeatability of Error

Load 5% *I_b* UPF

1	2	3	4	5	6	Diff

Load 100% *I_b* UPF

1	2	3	4	5	6	Diff

Reproducibility of Error

Load 5% *I_b* UPF

1	2	3	4	5	6	Diff

Load 100% *I_b* UPF

1	2	3	4	5	6	Diff

8.) Voltage Variation

Load	P.F.	Voltage	Obs Error (%) Active
200%Ib	1.0	0.7 Vref.	
200%Ib	1.0	1.2 Vref.	

9.) Dial test

	Duration : 30 Minutes		Advancement
200% Ib 0.866 lag	Active Energy	Meter Under test	
		Sub-Standard Meter X MF	
		% Error observed	
200% Ib 0.866 lag	M.D. (Active)	Meter Under test	
		Sub-Standard Meter X MF	
		% Error observed	

10.) Single Wire Operation

Load	PF	Limit (%)	Observed % Error (Active)
1.0 Amps	1.0	(+/-) 4.0	

11.) Tamper

Features checked	Observation
Input phase & Neutral are reversed (Recording in forward direction)	
Source side & Load side are interchange (Recording in forward direction)	
Combination of above two	
Single wire Operation	
Partial Earth Load(50% load current goes to earth)	
Potential Reduce	
Neutral Disturbance by D.C injection	
Neutral Disturbance by chopped AC injection	
Magnetic Tamper	
Spark Discharge	

12.) BCS & Communication

--

13.) *Meter Display*

14.) *Physical Examination*

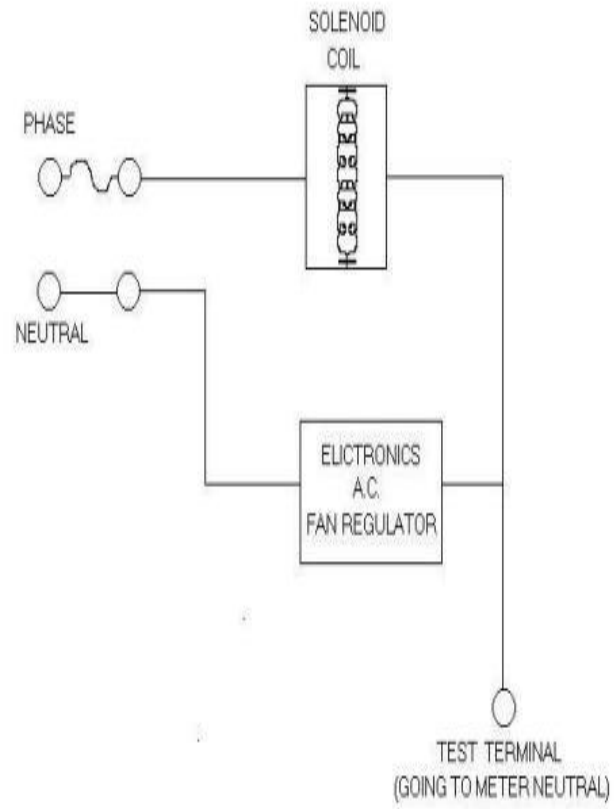
15.) *General Remarks*

*Signature of
Manufacturer
Representative.*

Witness

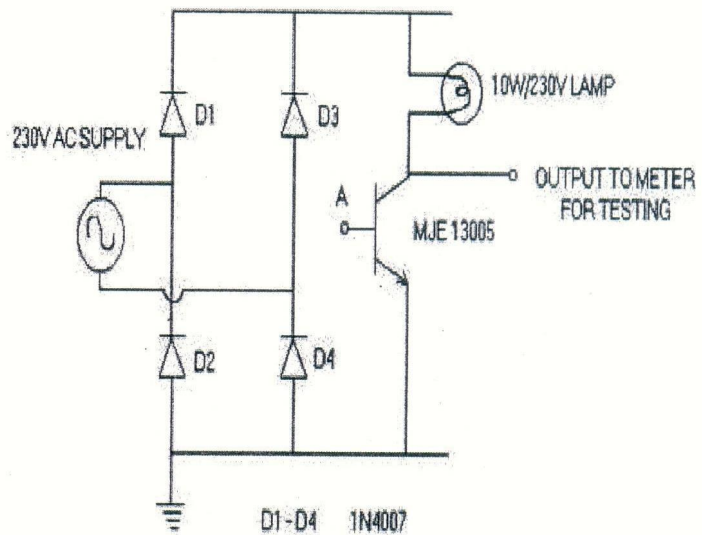
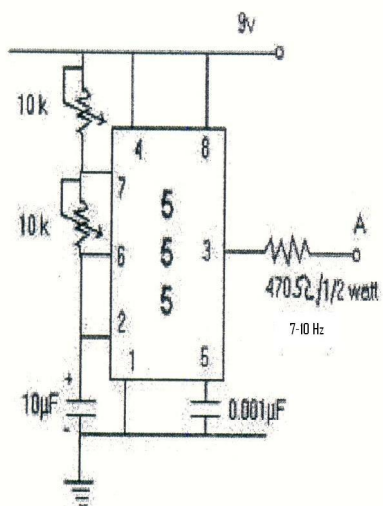
*Representative of
WBSEDCL*

WBSEDCL

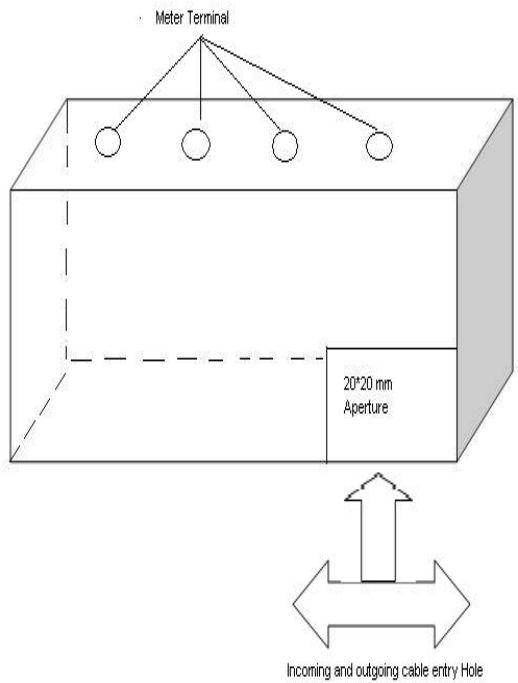


CIRCUIT DIAGRAM FOR TEST JIG TO INTRODUCE CHOPPED A.C. IN NEUTRAL

WBSEDCL



CIRCUIT DIAGRAM FOR TEST FIGURE TO INTRODUCE PULSATING D.C. IN NUTRAL



Terminal Cover of Single Phase Fully Static Meter

Drawing No.1

TECHNICAL SPECIFICATION FOR PILFER PROOF METER BOX SUITABLE FOR SINGLE PHASE STATIC ENERGY METER

1.0 SCOPE:

- 1.1 This specification covers manufacture and supply of Pilfer Proof Meter Box (PPMB) suitable to house Single Phase Static Energy Meter. The Meter Box shall be wall mounted type. ability so as to offer protection of electrical equipment against harsh weather. The box shall be anti-corrosive, dust proof, shock, vermin & waterproof, pilfer proof, fire proof and UV stabilized. The enclosures shall not deform or melt when exposed to fire. **Only 30 % Box of Meter order quantity is required.**

2.0 TECHNICAL REQUIREMENT :

- 2.1 The Meter Box i.e base and cover shall be made of hot press/injection moulded, unbreakable, high grade fire retardant Engineering Plastic (Acrylonitrile Butadiene Styrene)/Polycarbonate, with minimum thickness 2.0 mm having good di-electric and mechanical strength. The material must be such that the Meter Box should not change in color, shape. Size, dimensions when subjected to Ageing Test. The Meter Box should have top tapered surface and round corners to prevent any water logging on the top of meter cover. The overall dimensions of the enclosure shall be suitable for housing single phase meter as offered by the bidder and there should be a clearance of 30 ± 2 mm from top & both sides of the meter. Bottom side clearance should be 75 ± 5 mm from the lower edge of terminal block of the meter. Clearance from front side and back side of the meter should be 15 ± 2 mm and 10 ± 2 mm respectively. Meter Box with higher dimensions may be considered if found suitable.
- 2.2 The Meter Box should be capable of withstanding the mechanical, electrical and thermal stresses well as the effects of humidity which are likely to be encountered in service. At the same time the box should ensure desired degree of safety. The material used should be adequately stabilized against detrimental effect of light and weather. The surface appearance of the moulded parts must be smooth, non-porous and homogeneous, free of ripples, defects and marks. No fillers or fibers should be visible at any place.
- 2.3 The box should comply in all respect with the requirement of latest amendments of IS /ASTM. Applicable degree of protection shall be IP 42 or better.
- 2.4 All accessories like nuts, bolts, washers etc. shall be galvanized.

3.0 CONSTRUCTION :

- 3.1 The enclosure shall be single piece moulded with hot process compression molding or injection molding.
- 3.2 Dimension: To be specified by the bidder.
- 3.2 Hinges :
- A minimum of 2 nos. brass/stainless steel hinges in left side of the door and 1 no. brass/stainless steel hinge/stainless steel U type latch with locking arrangement in right side of the door shall be provided inside the enclosure. The hinges of the door shall be concealed and they shall be fixed to the flanges provided on the body and cover of the enclosure in such a manner that the door opens by a minimum of 120 degrees.
- 3.3 Suitable groove with locking arrangement shall be provided for opening of the enclosure door.
- 3.4 Earthing Bolt :
- 8mm dia. G.I. bolt with 2 nos. washers for earthing all metal parts shall be provided.
- 3.5 Fixing arrangement :

The meter box shall have 4 nos. of mounting brackets made out of same material as meter box with provision for 6 mm dia hole for mounting the box on the wall or wooden board with suitable screws. The meter box shall have provision to fix it on the wall or wooden board with the meter in assembled condition. Four (4) nos. self threaded screws of minimum size of 4 mm dia and 25 mm long shall be provided with each meter box. Any other suitable arrangement for fixing the box may be accepted after verification.

3.6 Sealing arrangement :

The Box should have provision for sealing arrangement of the base with cover providing holes for 1 no. seal to make it fully tamper proof.

3.7 Incoming and outgoing cable arrangement :

Suitable 2 (two) Nos. of holes at bottom (12 mm. dia) shall be provided in the box for cable/wire entry. 2 (two) holes must be totally covered with neoprene rubber gasket (NRG). NRG will be punched for entry of incoming and outgoing cable/wire.

3.8 Base and Cover details :

Thickness of the meter box shall not be less than 2.0 mm on all sides including door. The meter box shall have 4 mm thickness of the tongue and groove area. The meter box cover shall be made overlapping type having collars on all four (4) sides and shall be provided with Neoprene rubber gasket of minimum 2.5 mm dia to completely fit in the grooves of the base. The base of the meter box must have a groove to hold the gasket and the overlap of the top cover with base should be sufficient. The tongue of the base shall ensure proper sealing arrangement against ingress of rainwater and dust inside the box.

3.9 The Enclosures shall generally comply with the provision of IS 14772 or IEC 695. The enclosures shall be suitable for outdoor application. The enclosure shall be with good workmanship.

3.10 Soft neoprene/nitride rubber gaskets shall be provided all round wherever required for protection against entry of dust and water. The gasket shall conform to Type-III as per IS-11149. The enclosure shall comply with IP-42 or better degree of protection.

3.11 The Enclosures shall be off white/admiral gray / ivory/ transparent polycarbonate.

3.12 Marking/Embossing:

The following information shall be clearly & indelibly embossed/laser printed on the cover and base of the Meter Box. The top & bottom corner of Meter Box Sl. No. shall be same for the particular Meter Box.

- i) Property of WBSEDCL
- ii) Name/Brand name of Manufacturer
- iii) Meter Box Sl. No. (Embossed / laser printing on both the base and covers of Meter Box or 4 Nos good quality of water proof sticker)
- iv) Sign of Danger

4.0 Submission of Sample :

4.1 The bidder shall submit a sample Meter Box as per our specification along with the sample meter to the office of the Chief Engineer, (DTD), Abhikshan Bhavan, Sector-V, Salt Lake, Kolkata-91 before the last day of submission of bid.

4.2 Submission of sample meter box as per size available with the bidder but conforming to our specification towards its quality is acceptable . Type testing including material identification (IR Spectrometry test) of one meter box manufactured as per specification is to be conducted at any NABL accredited laboratory/CIPET by the supplier at their own cost after placement of order. For type testing the meter box will be selected from the first offered lot of meter with meter box. If the type test results are not found satisfactory, the offered lot of meter along with meter box will be rejected.

5.0 Quality Control:

- 5.1 Type test reports from CIPET/NABL accredited laboratory as per Standard IS/ASTM shall be submitted. The type test reports shall not be more than 5 (five) years old. Acceptance tests as per IS/ASTM are to be carried out by the supplier in presence of WBSEDCL's representative. Material of meter enclosure shall be tested for Heat Deflection Temperature, Exposure to Flame (Self-extinguishing) and Resistance to Heat & Fire (Glow wire) as per specification and Ref. Standard IS/ASTM.

6.0 General Construction Requirement:

6.1 Viewing Window:

A viewing window as per drawing made up of scratch and break resistant, UV resistant, transparent Polycarbonate material shall be provided on the door for reading the meter without inconvenience. The minimum thickness of the viewing window shall be 2.0 mm.(flashing with top). The viewing window shall be provided with fixed rain hood. The window shall be securely fixed with meter enclosure from inside. Suitable neoprene gasket shall be provided so that there shall not be any ingress of moisture through this window into the enclosure.

No viewing window is required for transparent polycarbonate meter box.

6.2 Construction of louver:

Louver must be provided in one side of the pilfer proof box inside of which must be covered with the mesh (plastic) in such a way that from outside that mesh can not be approached.

No louver is required for transparent polycarbonate meter box.

- 6.3 One push button is to be provided on the front side of the top cover of meter box for taking meter reading during power off condition without opening of meter box cover.

7.0 Guarantee:

The Pilfer Proof Meter Box should be guaranteed against any manufacturing defects arising out of faulty design or bad workmanship or component failure for a period of 5 ½ years from the date of supply.

The meter box found defective within the above guarantee period shall be replaced by the supplier free of cost within one month of the receipt of intimation of failure/defect. Defective meter box are to be replaced by new one with new sl. nos. as allotted by C.E (DTD).

8.0 Replacement of defective Meter Box :

The Meter Box declared defective by the WBSEDCL shall be replaced by the supplier up to the full satisfaction of the WBSEDCL at the cost of supplier. Failure to do so within the time limit prescribed shall lead to imposition of penalty of twice the cost of meter box. The same may lead to black listing even, as decided by WBSEDCL. In this connection the decision of WBSEDCL shall be final.

9.0 Testing:

a) Type Test:

The bidder must furnish type test report including material verification of the offered/sample meter box from any NABL/Govt. approved laboratory as available with them along with technical bid without which the offer will not be considered. **Type test report should not be more than 5 (five) years old.**

Type testing at any recognized NABL accredited laboratory/CIPET in respect of one meter box as per the specified size, selected from any one of the offered lot during supply is to be conducted by the supplier at their own cost after placement of order for verification of material and quality of the box. If the type test results are not found satisfactory, the offered lot of meter along with the meter box will be rejected.

b) Acceptance Test:

The acceptance test as stipulated in Annexure-VI shall be carried out at the time of inspection of the offered material.

c) Routine Test:

The routine tests as stipulated in the Annexure-VI shall be carried out and routine test certificate/reports shall be submitted to Chief Engineer (DTD), WBSEDCL, Abhikshan, Sector-V, Salt Lake City, Kolkata-700091 while offering inspection & testing of the meter with meter box.

- Notes:**
- 1) Where facilities do not exist at supplier's works for carrying out one or more of the Acceptance Tests as per Annexure-VI, such tests may be carried out at any of the approved laboratories such as CIPET/IIT/National Test House/Govt. approved laboratory etc. in presence of WBSEDCL's representative.
 - 2) The sampling plan for carrying out the acceptance tests shall be as per IS.

9.0 Submission of Drawing:

Three (3) copies of drawing complete in all respect should be submitted to the C.E (DTD) under intimation to the Material Controller for accordance of approval immediately after placement of order. 25 copies of approved drawing are to be submitted for distribution to sites.

10.0 Inspection:

The inspection will be carried out as per inspection & testing clause of General Conditions of Contract (GCC).

11.0 Guaranteed Technical Particulars:

The bidder shall furnish all the necessary information as per Annexure-VII - Guaranteed Technical Particulars. If the bidder desire to furnish any other information in addition to the details as asked for, the same may be furnished.

ANNEXURE-V

LIST OF TESTS TO BE CARRIED OUT ON SINGLE PHASE METER BOX

Sl. No.	Name of Indian standard/equivalent international standard	Test requirement	Test particulars		
			Type test	Routine Test	Acceptance Test
1.	IS : 14772	Marking	T		A
2.	As per Drawing	Dimensions	T	R	A
3.	IS / ASTM	Protection against electric shock	T	R	A
4.	IS / ASTM	Construction	T	R	A
5.	IS / ASTM	Resistance to ageing, to humid conditions, to ingress of solid object and to harmful ingress of water	T		
6.	IS / ASTM	Mechanical strength	T		
7.	IS / ASTM	Resistance to heat	T		
8.	IS / ASTM	Resistance to rusting	T		
9.	IS / ASTM	Resistance to tracking	T		
10.	IS / ASTM	Test for resistance to heat & fire (Glow wire test at 650 ⁰ C)	T		
11.	IS / ASTM	Heat deflection temp. @ 1.8 MPa-100 ⁰ C (Minm. for Engg. Plastic)/140 ⁰ C (Minim. for Polycarbonate)	T		
12.	IS / ASTM	Self Extinguishing property of spirit burner test.	T		A
13.	IS / ASTM	Melting point-180 ⁰ C (Minimum for Engg. Plastic)/210 ⁰ C (Minimum for Polycarbonate)	T		
14.	IS / ASTM	Verification of di-electric properties, insulation test with 500V DC magger	T		
15.	CIPET/IR Spectrometry	Material identification	T		
16.	IS / ASTM	Physical water absorption (Max. 0.35%)	T		
Note : Applicable degree of protection shall be IP42 or better. Legend : T- Type Test, R- Routine Test, A- Acceptance Test					

ANNEXURE-VI

**GUARANTEED TECHNICAL PARTICULARS OF PILFER PROOF METER BOX
FOR SINGLE PHASE METER**

Sl. No.	Description	Detailed requirement	Offered by the bidder
1.	Material used for moulded meter box	Engineering Plastic (Acrylonitrile Butadiene Styrene)/Polycarbonate	
2.	Grade of Material	Fire Retardant, Self Extinguishing	
3.	Properties of material for meter box		
(a)	Heat Deflection Temperature (Min. 140° C @ 1.8 MPa) (Ref. Std. IS/ASTM)	100° C (Minimum for Engg. Plastic) / 140° C (Minimum for Polycarbonate)	
(b)	Exposure to flame (Ref. Std..IS/ASTM)	Self-extinguishing	
(c)	Melting Point (Ref. Std. IS/ASTM)	180° C (Minimum for Engg. Plastic) / 210° C (Minimum for Polycarbonate)	
(d)	Resistance to heat & fire	Glow wire test at 650° C	
(e)	Mechanical Property		
i)	Tensile Strength (MPa)	To be specified by the bidder	
ii)	Flexural Strength (MPa)	- Do -	
iii)	Modulus of Elasticity (MPa)	- Do -	
4.	Constructional features of the box		
(a)	Clear inside dimensions of Meter Box	Refer Drawing	
	i) Height	To be specified by the bidder	
	ii) Width	- Do -	
	iii) Depth	- Do -	
	iv) Rust & Vermin proofing	Neoprene Rubber Gasket NRG	
(b)	Minimum clearance from meter on all 4 sides	Clearance from all sides of the meter should be 30±2 mm except the bottom side which should be 75±5 mm from the lower edge of terminal block.	
(c)	Minimum clearance from meter on front	15±2 mm	
(d)	Minimum clearance from back of meter	10 ± 2 mm	
(e)	Viewing Window :		
	i) Material of transparent cover	Glass/Polycarbonate with Rubber Gasket	
	ii) Size of opening (Min.)	90mm x 75 mm	
	iii) Thickness of moulded sheet	2.0 mm (Minimum)	
	iv) Fixing method	Fixed from inside with rubber gasket	

(f)	Earthing arrangement	1 No. Earthing Bolt, not required for polycarbonate.	
(g)	Sealing Arrangement	Holes for wire seal (One No.)	
(h)	Colour of Meter Box (base & cover)	Admiral Grey / Off-White / Ivory / Transparent	
(i)	Box mounting arrangement		
	i)	No. of holes for fixing of meter box	4 Nos. Holes
	ii)	Dimension of holes	6 mm
	iii)	Dimension of box fixing screw	4X25 mm self threaded
	iv)	Total no. of fixing screws to be provided	4 nos.
(j)	Hinges	Concealed hinges	
(k)	Incoming & outgoing cable holes	2 Nos. 12 mm. dia. Holes at bottom totally covered with Neoprene Rubber Gasket (NRG)	
(m)	Whether the cover is overlapping type having collars on all four sides	Yes	
(n)	Whether the cover/base provided with semicircular/circular neoprene rubber gasket of 2.5 mm dia (Minm.) to completely fit in the grove of the base	Yes	
(o)	Whether the meter box having push button to access to the meter for taking reading during power off condition without opening of meter box cover	To be provided	
(p)	Weight of complete box in Kg with +/- tolerance	To be specified by the bidder	
5.	Type test report as per Technical Specification	To be submitted by the bidder	
6.	Degree of protection	IP 42 or better	
7.	Any other information		

ANNEXURE - VII

TESTING

1. Sample selected from first lot should be type tested at any NABL accredited laboratory for compliance of performance parameters as given in GTP including material identification to be carried out by CIPET (IR Spectrometry test).
2. The test report should be submitted to WBSSEDCL before delivery of
3. Inspection of each lot and sampling plans for acceptance test: 1 no. selected randomly from lot for testing at works.

Sl. No.	Test Requirement for moulded meter box	Reference Standards
a)	Marking	IS /ASTM
b)	Dimensions & construction	IS /ASTM
c)	Heat Deflection Temperature - 145 ⁰ C at no pressure (Minimum)	IS /ASTM
d)	Spirit Burner Test (Self Extinguishing)	IS /ASTM
e)	Melting point - 130 ⁰ C at no pressure (Minimum)	IS /ASTM